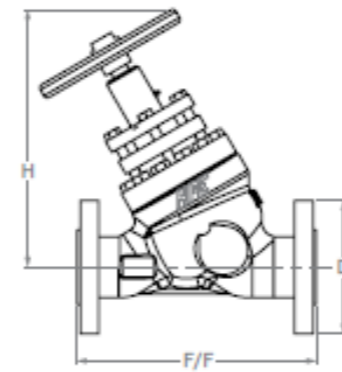


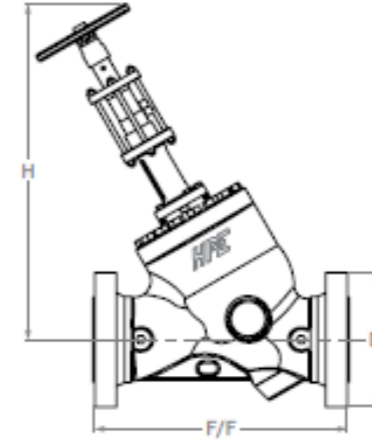
Valve Dimensions

NB	Manual Isolation Valve				Bi-Directional Isolation Valve				Safety Isolation Valve				Dam Level Control Valve				Pump Control Valve (Electric Actuator)				Pump Control Valve (Hydrologic Actuator)				Turbine Control Valve																									
	Hub		Flanges		Hub		Flanges		Hub		Flanges		Hub		Flanges		Hub		Flanges		Hub		Flanges		Hub		Flanges																							
	250 bar	AMES 300	AMES 600	AMES 900	AMES 1500	250 bar	AMES 300	AMES 600	AMES 900	AMES 1500	250 bar	AMES 300	AMES 600	AMES 900	AMES 1500	250 bar	AMES 300	AMES 600	AMES 900	AMES 1500	250 bar	AMES 300	AMES 600	AMES 900	AMES 1500	250 bar	AMES 300	AMES 600	AMES 900	AMES 1500																				
50	F/F	245	250	256	300	300	245	250	256	300	300	245	250	256	300	300	245	250	256	300	300	245	250	256	300	300	245	250	256	300	300	245	250	256	300	300	245	250	256	300	300									
	D	80	165	165	216	216	80	165	165	216	216	80	165	165	216	216	80	165	165	216	216	80	165	165	216	216	80	165	165	216	216	80	165	165	216	216	80	165	165	216	216									
	H	191	191	191	191	191	200	200	200	200	200	200	200	200	200	200	339	339	339	339	339	170	170	170	170	170	454	454	454	454	454																			
	Mass	16	21	23	38	38	20	27	29	47	47	18	23	25	40	40	15	20	22	36	36	71	76	78	88	88																								
80	F/F	365	397	407	414	432	365	397	407	414	432	365	397	407	414	432	365	397	407	414	432	365	397	407	414	432	365	397	407	414	432	365	397	407	414	432	365	397	407	414	432									
	D	113	210	210	241	267	113	210	210	241	267	113	210	210	241	267	113	210	210	241	267	113	210	210	241	267	113	210	210	241	267	113	210	210	241	267	113	210	210	241	267									
	H	482	482	482	482	482	510	510	510	510	510	418	418	418	418	418	238	238	238	238	238	554	554	554	554	554	822	822	822	822	822																			
	Mass	63	73	75	84	104	79	92	95	106	132	63	73	75	84	104	68	80	83	92	112	99	109	111	120	140	98	107	110	119	139																			

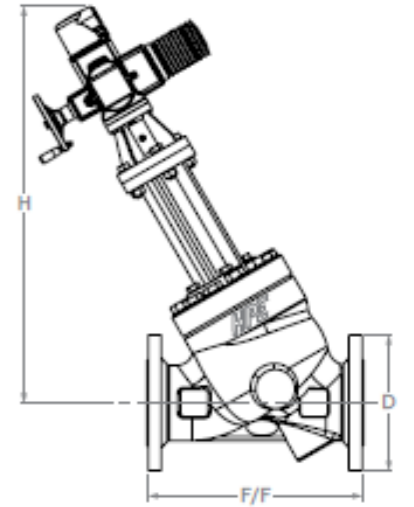
NB	Internal Ratio Valve				External Ratio Valve				Pressure Regulator Valve				Strainer				Non-Return Valves (Fit between)			Backfill Diverter Valve	Surge Relief Valve High Pressure				Surge Relief Valve Low Pressure																		
	Hub		Flanges		Hub		Flanges		Hub		Flanges		Hub		Flanges		Flanges	Hub	Hub	Flanges		Flanges																					
	250 bar	AMES 300	AMES 600	AMES 900	AMES 1500	250 bar	AMES 300	AMES 600	AMES 900	AMES 1500	250 bar	AMES 300	AMES 600	AMES 900	AMES 1500	AMES 600	AMES 900	AMES 1500	1.50 bar	250 bar	AMES 600	AMES 900	AMES 1500																				
50	F/F	245	250	256	300	300	245	250	256	300	300	245	250	256	300	300	-	300	300	300	-	1.50 bar					250 bar	AMES 600	AMES 900	AMES 1500	AMES 300	AMES 600											
	D	80	165	165	216	216	80	165	165	216	216	80	165	165	216	216	-	152	165	165	-																						
	H	160	160	160	160	160	298	298	298	298	298	373	373	373	373	373	-	256	256	256	-																						
	Mass	12	16	18	32	32	19	24	26	40	40	24	28	30	44	44	-	14	16	16	-																						



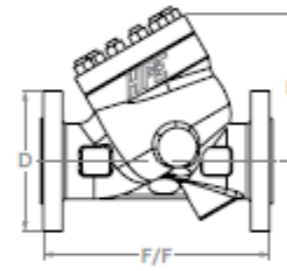
- Manual Isolation Valve
- Safety Isolation Valve
- Bi-Directional Isolation Valve



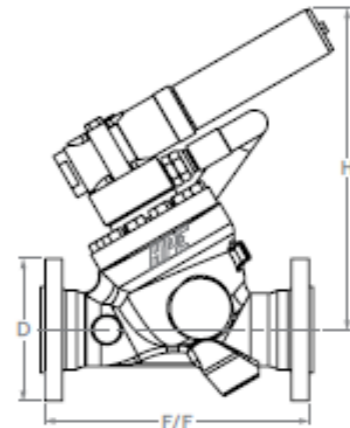
- Turbine Control Valve
- External Ratio Valve
- Pump Control Valve (with hydrologic control actuator)



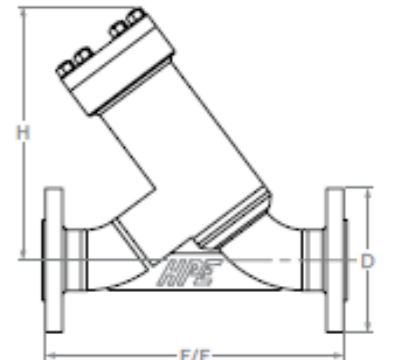
- Pump Control Valve (with electric actuator)



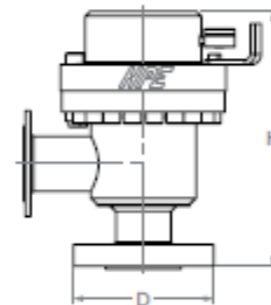
- Internal Ratio Valve
- Dam Level Control Valve



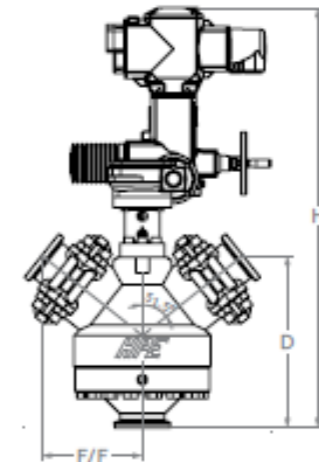
- Pressure Regulator Valve



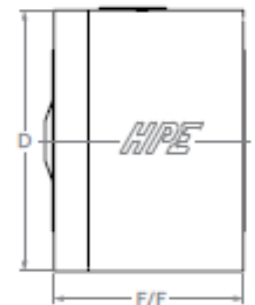
- Strainer



- Surge Relief Valve



- Backfill Diverter (with electric actuator)



- Non Return Valve (wafer type)